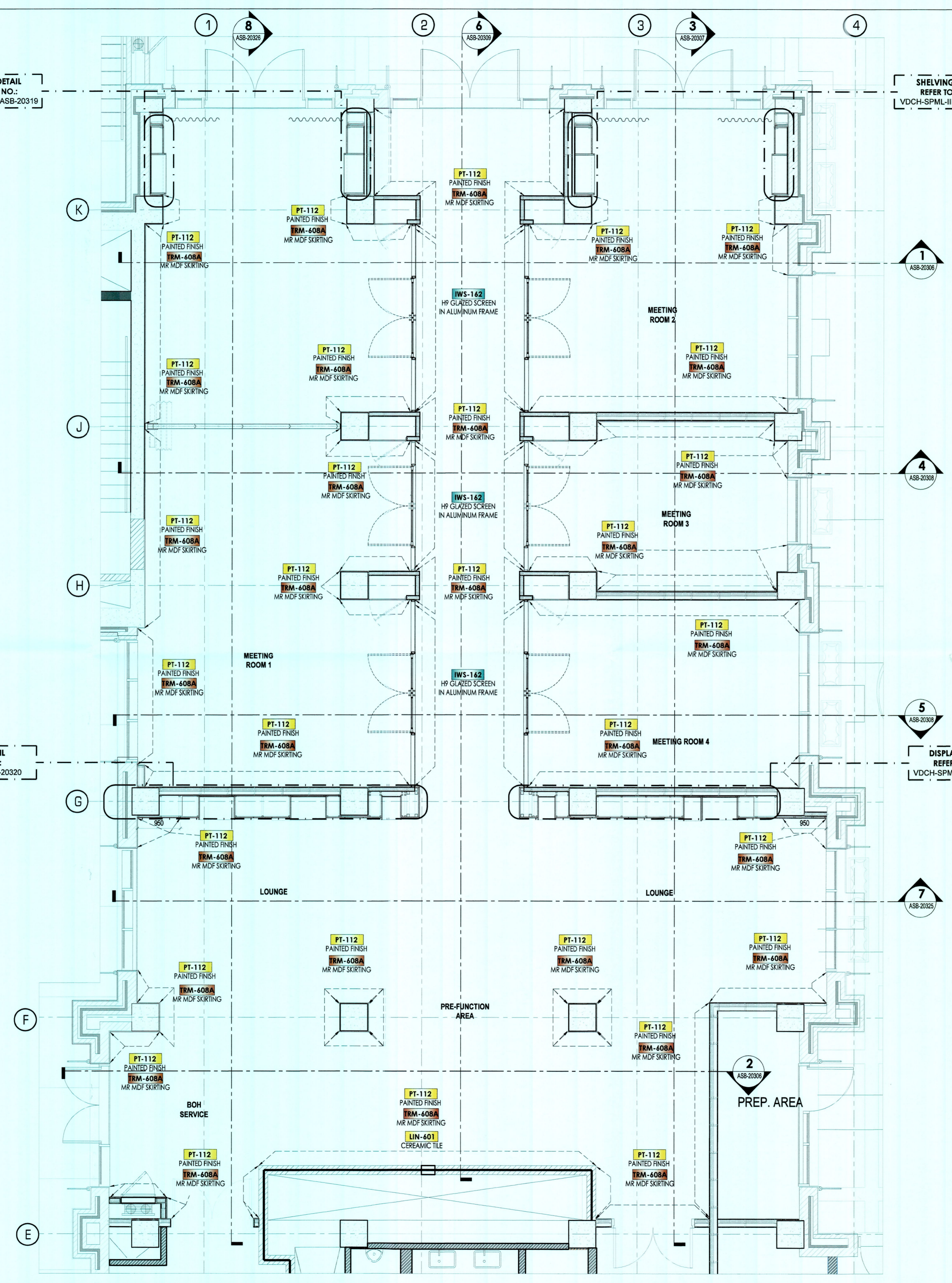


SHELVING DISPLAY DETAIL  
REFER TO DRAWING NO.:  
VDCH-SPML-III-HT-10-INT-ASB-20319

SHELVING DISPLAY DETAIL  
REFER TO DRAWING NO.:  
VDCH-SPML-III-HT-10-INT-ASB-20319

DISPLAY 2 SHELVES DETAIL  
REFER TO DRAWING NO.:  
VDCH-SPML-III-HT-10-INT-ASB-20320

DISPLAY 2 SHELVES DETAIL  
REFER TO DRAWING NO.:  
VDCH-SPML-III-HT-10-INT-ASB-20320



CODE	DESCRIPTION
PT-112	PAINT NCS S 0500N
LIN-601	CERAMIC TILE
IWS-162	HP GLAZED SCREEN IN ALUMINUM FRAME
TRM-608A	MR MDF SKIRTING PU FINISH MATCHING NCS S 0500 N
TRM-821	PORCELAIN TILE SKIRTING "UNIT ICE" BY ARTECO

FOR AND ON BEHALF OF  
GODWIN ALISTON JOHNSON

GAJ

APPROVED BY: [Signature]

DATE: 14/12/19

**A WALL FINISHES PLAN**  
SCALE: 1:50M

**KEY PLAN**

REVIEWED BY: \_\_\_\_\_

TECHNICAL COORDINATOR: \_\_\_\_\_

MEP COORDINATOR: \_\_\_\_\_

SPECIALIST: \_\_\_\_\_

REFERENCE DRAWING NUMBER: \_\_\_\_\_

REFERENCE NUMBER: VDCH-SPML-III-HT-10-INT-SD-20303

REV.	DESCRIPTION	DATE
01	ISSUED FOR APPROVAL	23 NOV 19
00	ISSUED FOR APPROVAL	30 OCT 19

ISSUE STATUS: AS BUILT

PROJECT: **The Vida DCH**  
DUBAI CREEK HARBOUR PHASE 1A, RAS AL-KHOR, DUBAI, UAE

CLIENT: **EMAAR**  
EMAAR PROPERTIES PJSC

PROJECT MANAGER: **mirage**

CONSULTANT: **GAJ Middle East**  
Architectural Consultants

MAIN CONTRACTOR: **Shapoorji Pallonji Mideast (L.L.C.)**

DUBAI - UAE P.O. BOX 118219  
IPH: 04 2690334

FIT-OUT CONTRACTOR: **INTERIORS INTERNATIONAL INDUSTRIES LLC.**

DESIGNERS & MANUFACTURERS OF QUALITY FURNITURE & INTERIORS  
TEL: 04-3402055 FAX: 04-3402054 P.O. BOX 31881, DUBAI, U.A.E.  
EMAIL: info@dubai@iiconline.biz Website: www.iiconline.biz

DRAWING TITLE: **GF MEETING ROOM & PRE-FUNCTION AREA WALL FINISHES PLAN**

DRAWN BY: ANIL CHECKED BY: PV DATE: 30 OCT 2019

SCALE (@ A1): 1/25M PROJECT NUMBER: 3405

DRAWING NUMBER: VDCH-SPML-III-HT-10-INT-ASB-20303 REV: 01



Room	Area (Sqm)	Reception	Round	Cabaret	Theatre	Classroom	U-Shape	Boardroom
<b>Navigate</b>	166.4	-	30	22	50	20	25	30
<b>Cruise</b>	38.59	-	20	12	25	12	12	14
<b>Port</b>	21.09	-	-	-	-	-	-	9
<b>DIP</b>	23.37	-	8	-	-	-	-	-
<b>Terrace</b>		100	60	-	-	-	-	